

規格承認書

SPECIFICATION FOR APPROVAL

Rev1.0	SPECIFICATION	NO.			
PART NO.	ZOV34S201K~162K	PAGE: 1 OF 5			
		DATE: 2017年10月18日			
UL	E315524	CSA	LR115266	VDE	/

1.OUTLINE

1.1 DIMENSIONS

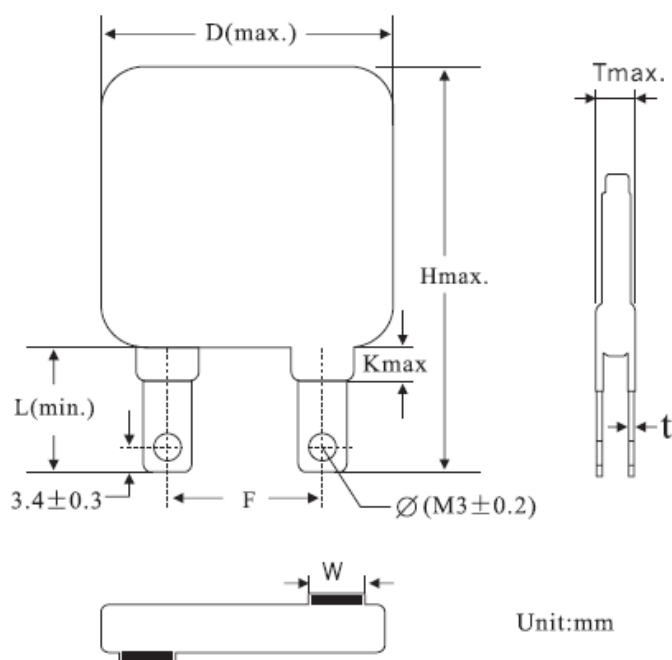


Table1	
Unit:mm	
Symbol	Dimension
D(max.)	44.0
H(max.)	56.6
F(±1.0)	25.4
T(max.)	Table2
t(±0.1)	0.5
L(min.)	14.5
K(max.)	3.2
W(±0.5)	7.0
ΦM3(±0.2)	3.2
Epoxy Colour : Green	

Table2			
Unit:mm			
Model	T	Model	T
201K	6.2	681K	9.0
221K	6.3	751K	9.4
241K	6.4	781K	9.6
271K	6.6	821K	9.8
331K	6.9	911K	10.4
361K	7.1	951K	10.6
391K	7.3	102K	11.2
431K	7.5	112K	11.8
471K	7.8	122K	12.3
511K	8.0	142K	13.3
621K	8.7	162K	14.3

規格承認書

SPECIFICATION FOR APPROVAL

Rev1.0	SPECIFICATION		NO.		
PART NO.	ZOV34S201K~162K		PAGE: 2 OF 5		
			DATE: 2017年10月18日		
UL	E315524	CSA	LR115266	VDE	/

Electrical characteristics

ZOV Part Number	Maximum Allowable Voltage		Varistor voltage V1.0 mA (V)	IR3 μA	@	Maximum Clamping Voltage		Withstanding Surge Current		Maximum Ebergt 10/1000μs (JOULE)	Typical Capacitance (Reference) @1KHz (pf)
	Ac.rms (V)	DC (V)				VC (V)	IP (A)	1 time (A)	2 times (A)		
34S201K	130	170	200(185-225)	40	21	340	300	40000	30000	330	8000
34S221K	140	180	220(198-242)			360				360	7800
34S241K	150	200	240(216-264)			395				390	7600
34S271K	175	225	270(243-297)			455				420	7200
34S331K	210	275	330(297-363)			550				500	6400
34S361K	230	300	360(324-396)			595				510	6000
34S391K	250	320	390(351-429)			650				530	4800
34S431K	275	350	430(387-473)			710				600	4600
34S471K	300	385	470(423-517)			775				650	4100
34S511K	320	415	510(459-561)			845				700	4000
34S621K	385	505	620(558-682)			1025				780	3600
34S681K	420	560	680(612-748)			1120				810	3300
34S751K	460	615	750(675-825)			1240				850	3000
34S781K	485	640	780(702-858)			1290				930	2850
34S821K	510	670	820(738-902)			1355				970	2700
34S911K	550	745	910(819-1001)			1500				1050	2100
34S951K	575	765	950(855-1045)			1570				1080	1900
34S102K	625	825	1000(900-1100)			1650				1120	1700
34S112K	680	895	1100(990-1210)			1815				1250	1520
34S122K	750	990	1200(1080-1320)			1980				1340	1400
34S142K	880	1140	1400(1260-1540)	2310	1400	1250					
34S162K	1000	1280	1600(1440-1760)	2640	1500	1100					

規格承認書

SPECIFICATION FOR APPROVAL

Rev1.0	SPECIFICATION	NO.			
PART NO.	ZOV34S201K~162K	PAGE: 3 OF 5			
		DATE: 2017年10月18日			
UL	E315524	CSA	LR115266	VDE	/

2.ELETRICAL PARAMETER

2.1	Max. Allowable Voltage	Reference p2*	At 1.0mA DC
2.2	Varistor Voltage(Test Time For 30ms)		V0.1mA □ V1mA ■
2.3	Rated Wattage		
2.4	Max. Clamping Voltage		Test Current Waveform 8/20μs
2.5	Withstanding Surge Current		Test Current Waveform 8/20μs
2.6	Max. Energy		Test Current Waveform 10/1000μs
2.7	Typical Capacitance		@1KHz
2.8	Leakage Current		At 80% of Varistor Voltage
2.9	Nonlinear Exponent (α)		$\alpha = \log \frac{I_1}{I_2} / \log \frac{V_1}{V_2}$
2.10	Impulse Life		≅ ±10%(V1mA)

3.MATERIAL LIST

3.1	Drawing	略		
3.2	Material Chart RoHs	Item	Composition	Manufacturer
		Coating	Epoxy Resin	Made in China, and in line with the UL 94-V0 testing, meet the environmental requirements
		Lead	Cu wire	Made in China, meet the environmental requirements
		Electrode	Silver	Made in China, meet the environmental requirements
		Disk	Zinc Oxide	Made in China, meet the environmental requirements
		Solder	Sn:96.5%CU 0.5%Ag3.0%	Made in China, meet the environmental requirements

規格承認書

SPECIFICATION FOR APPROVAL

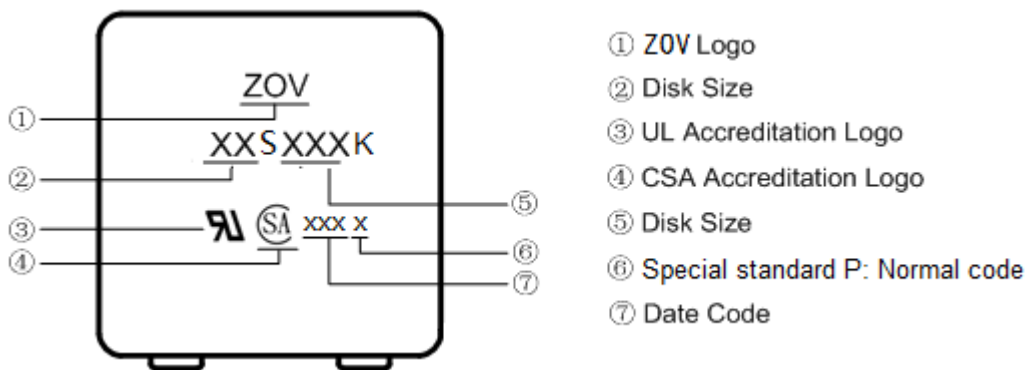
Rev1.0	SPECIFICATION		NO.		
PART NO.	ZOV34S201K~162K		PAGE: 4 OF 5		
			DATE: 2017年10月18日		
UL	E315524	CSA	LR115266	VDE	/
4.MECHANICAL REQUIREMENTS					
4.1	Tensile of Terminations	No Outstanding Damage	1.0Kgf; 10Sec.		
4.2	Bending of Terminations	No Outstanding Damage	0.5Kgf; 90° ,3 Times		
4.3	Vibration	No Outstanding Damage	Freq:10-55hz;Amp:0.75mm,1Min		
4.4	Solderability	Min. 95% of The Terminal Should Be Covered With Solder Uniformly	Solder Temp:245±5°C Immersed Time: ≤5Sec.		
4.5	Resistance of soldering heat	$\Delta V1mA/V1mA$ $\cong \pm 5\%$	Solder Temp: 260±5°C Immersed Time: 10±1Sec.		
5.ENVIRONMENTAL REQUIREMENTS					
5.1	High Temperature Storage	$\Delta V1mA/V1mA$ $\cong \pm 5\%$	Ambient Temp: 125±2°C Duration:1000h		
5.2	Low Temperature Storage	$\Delta V1mA/V1mA$ $\cong \pm 5\%$	Ambient Temp: -40±2°C Duration:1000h		
5.3	High Humidity Storage/Damp Heat	$\Delta V1mA/V1mA$ $\cong \pm 5\%$	Ambient Temp: 40±2°C 90-95% R.H. Duration:1000h		
5.4	Temperature Cycle	$\Delta V1mA/V1mA$ $\cong \pm 5\%$	Step	Temperature (°C)	Period (min)
			1	-40±3	30 ±3
			2	Room Temp	15 ±3
			3	85±3	30 ±3
4	Room Temp	15 ±3			
5.5	High Temperature Load	$\Delta V1mA/V1mA$ $\cong \pm 10\%$	Ambient temp:85±2°C Duration:1000h Load: MAX. Allowable Voltage		
5.6	High Humidity Load	$\Delta V1mA/V1mA$ $\cong \pm 10\%$	Ambient Temp: 40±2°C 90-95%R.H.Duration:1000H Load: MAX. Allowable Voltage		
5.7	Operating Temperature Range	-40°C ~ +85°C			
5.8	Storage Temperature Range	-40°C ~ +125°C			

規格承認書

SPECIFICATION FOR APPROVAL

Rev1.0	SPECIFICATION	NO.			
PART NO.	ZOV34S201K~162K	PAGE: 5 OF 5			
		DATE: 2017年10月18日			
UL	E315524	CSA	LR115266	VDE	/

6. MARKING CODE



7. QUANTITY

Packaging Dimensions (Unit: mm)	Quantity
Bulk 	60pcs/box (201K~511K)
	32pcs/box (621K~162K)